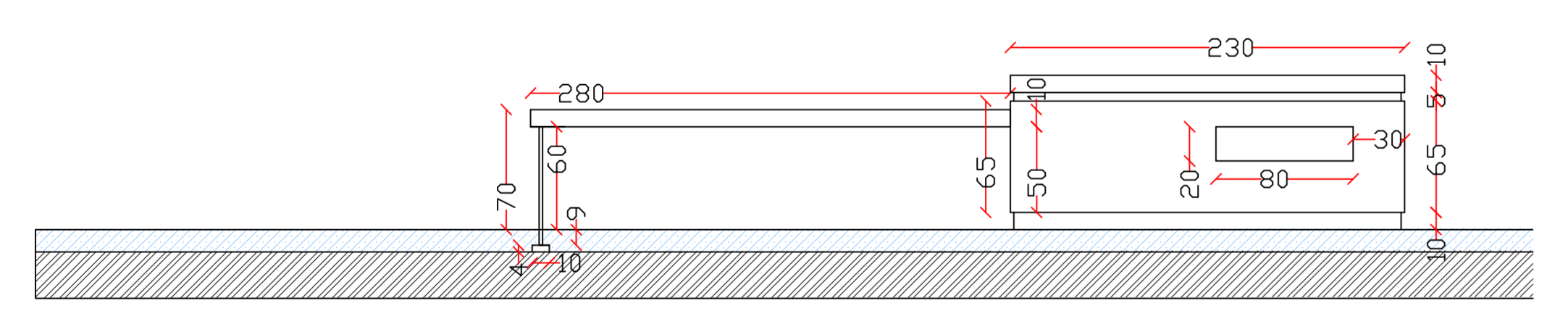
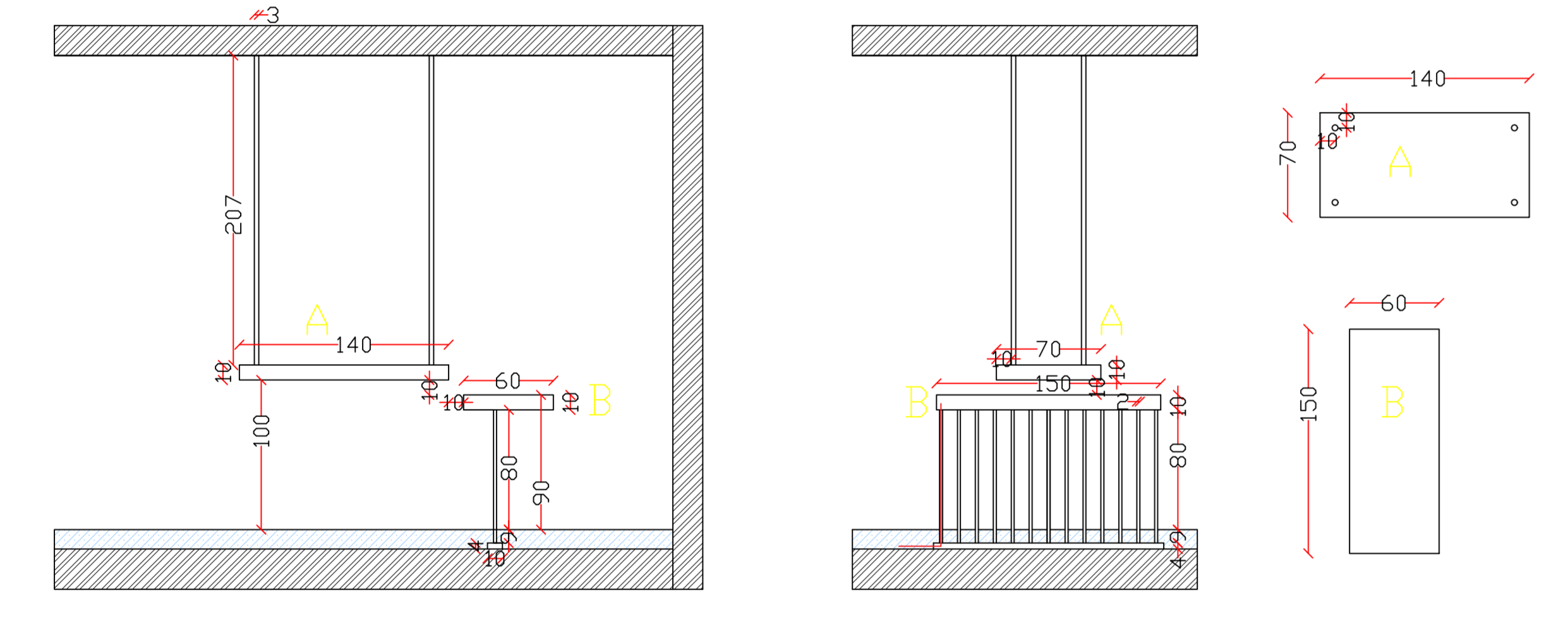
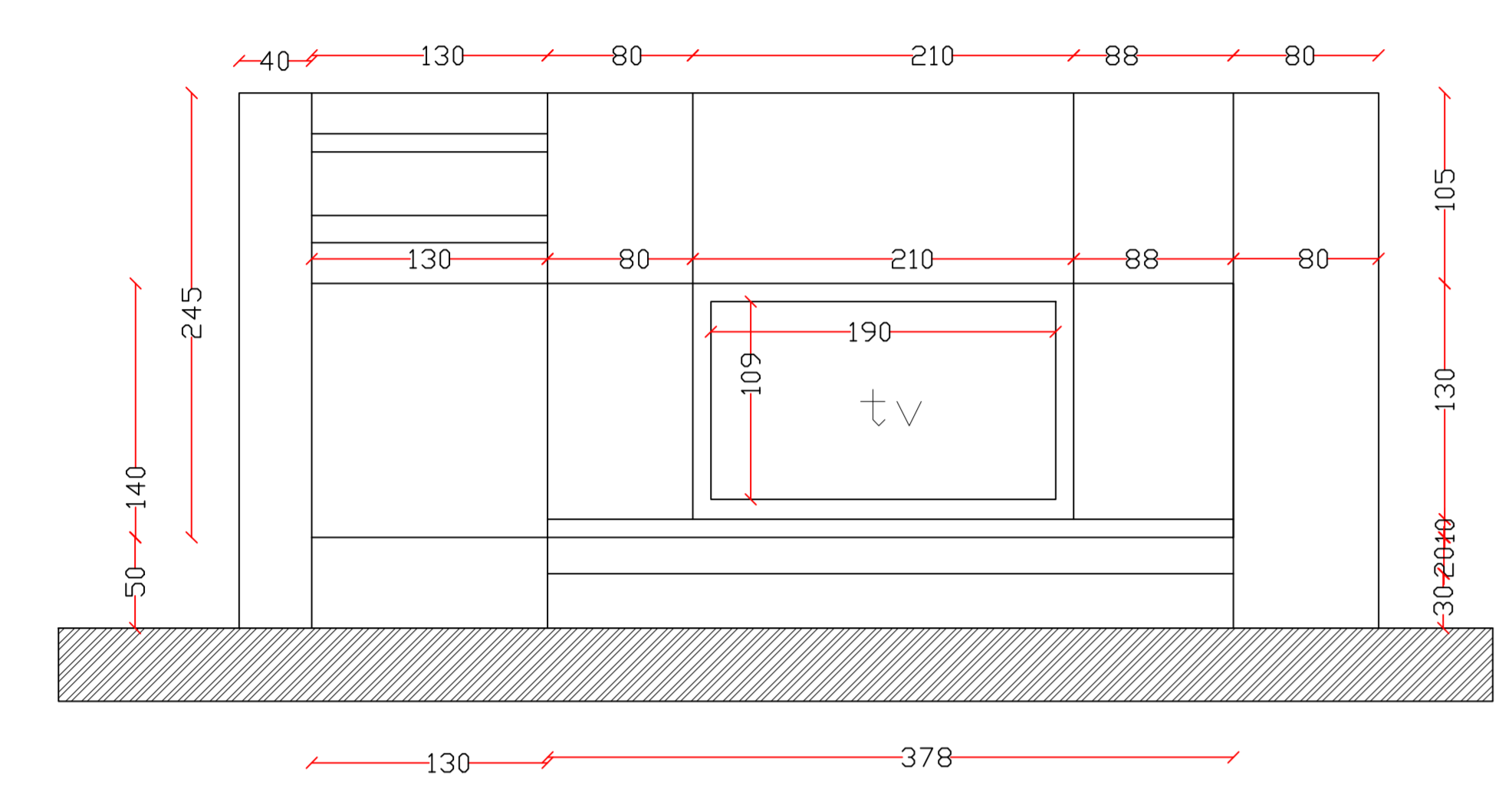
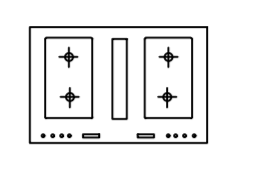
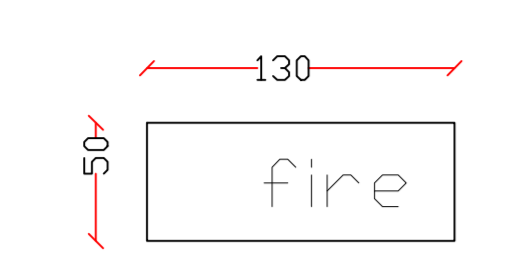
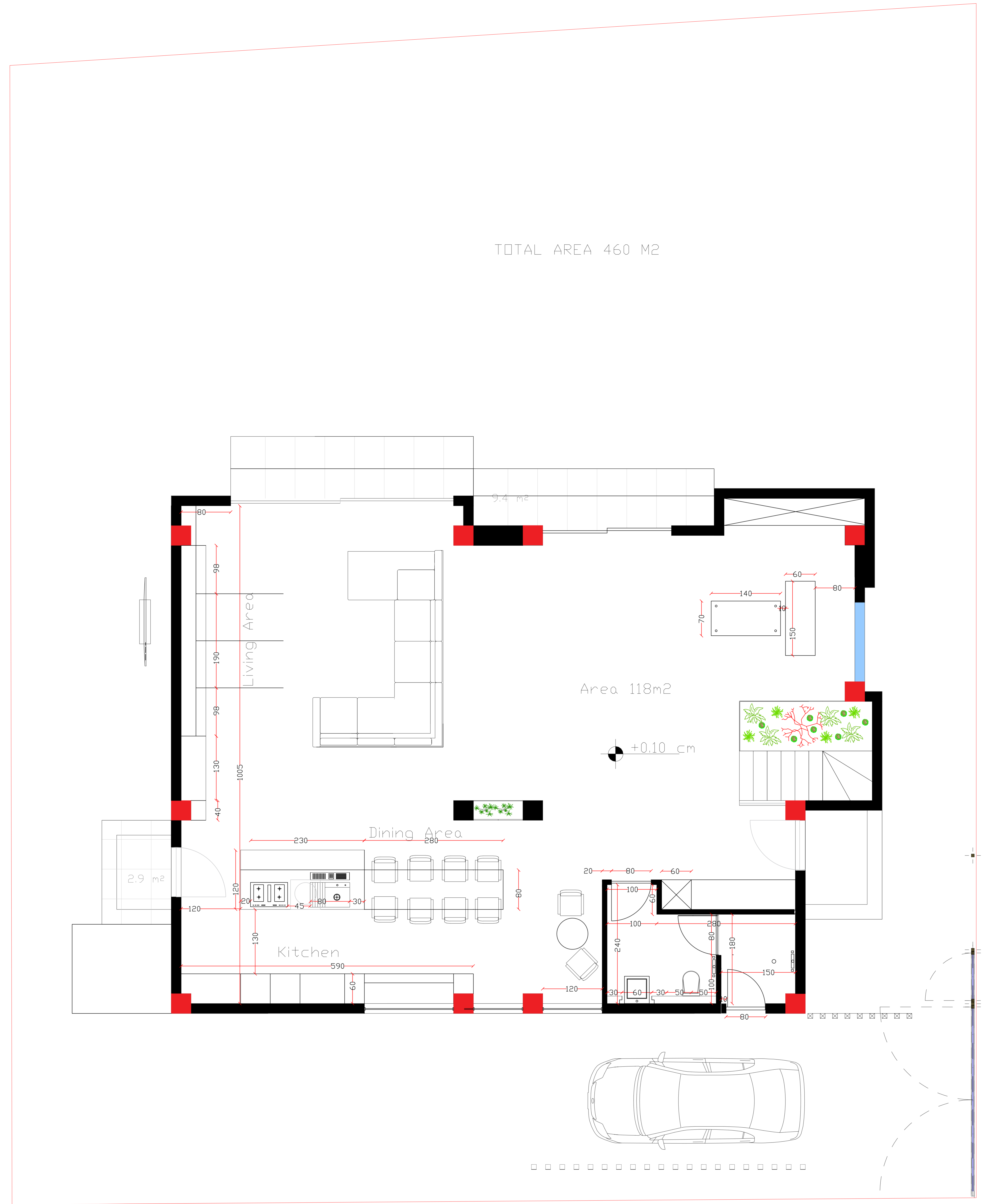


| RevNo | Revision note | Date | Signature | Checked |
|-------|---------------|------|-----------|---------|
|       |               |      |           |         |



TOTAL AREA 460 M2



| Ref. #                | P/N        | SERVICE            |                            |
|-----------------------|------------|--------------------|----------------------------|
| Designed by<br>FARBOD | Checked by | Approved by - date | File name<br>Date<br>Scale |

FLOOR : 1

TITLE

DWG.NO.:

Revision Sheet